

2018 JEEP WRANGLER INSTALLATION MANUAL

Installation time

0.5

1

2

3

Professional installation recommends

Tools



ratchet wrench



insulated rubber



Plastic board



pliers



Attention:

We highly recommend you to find professional store to install the product.

Attention:

If not follow the instruction may damage the ECU, motor or the car.

2018 JEEP WRANGLER INSTALLATION MANUAL

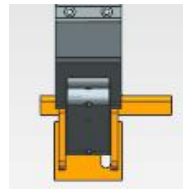
ACCESSORIES LIST



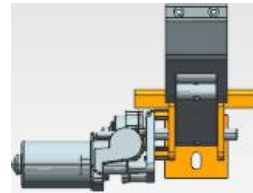
Running board * 2 PCS



ECU



Idler bracket * 4 PCS



Middle motor idler * 2 pcs



OBD kit * 1 set



Motor power and signal wire harness * 1 set

Screw Package



M8*25 Flange Screws * 18PCS



M8 Screw * 12 PCS



M6*255 outer hexagonal screw * 12 PCS



Plastic line * 1 PCS



U shape washer * 10 PCS



M8 washer * 18 PCS



M6 spring washer * 12 PCS



Tie wire * 20 PCS

2018 JEEP WRANGLER INSTALLATION MANUAL

1. Install ECU, OBD and wiring



1) Take out fuse



2) Connect the positive pole to the battery



3) **Caution: Tighten battery screw very tight!**
If loose, may get damage to the car



4) Connect the positive line from here to engine cabin



5) Connect the positive pole to the battery



6) Take down this decorative cover on the left side

2018 JEEP WRANGLER INSTALLATION MANUAL



7) Connect negative pole to this place



8) Fix the ECU in the driver room



9) Fix the ECU with M8 Screw



10) Link one motor line from the carpet to the chassis



11) Link Another motor line to co-drive side

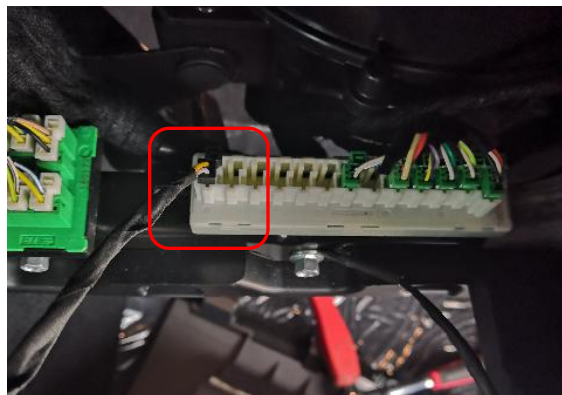


12) Open copilot storage box

2018 JEEP WRANGLER INSTALLATION MANUAL



13) Take copilot storage box down,
then find CAN bus terminal line

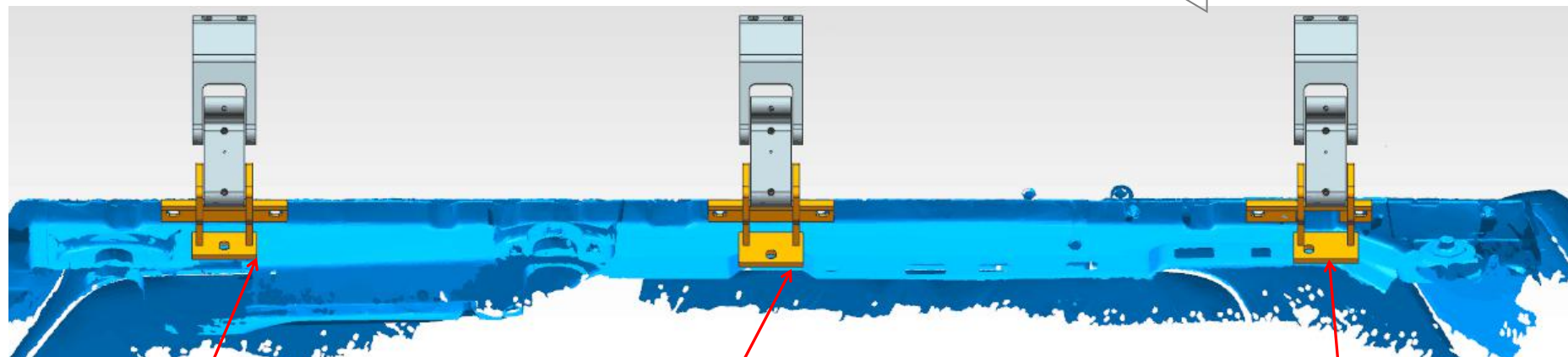


14) Connect signal wire with
empty position without wires

2018 JEEP WRANGLER INSTALLATION MANUAL

2.Install bracket (Left side), Right side are same way

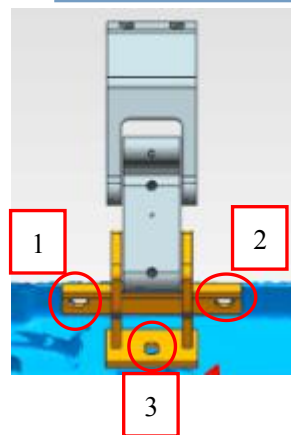
Car direction: Left side



Left front idler bracket

Left middle motor bracket

Left rear idler bracket

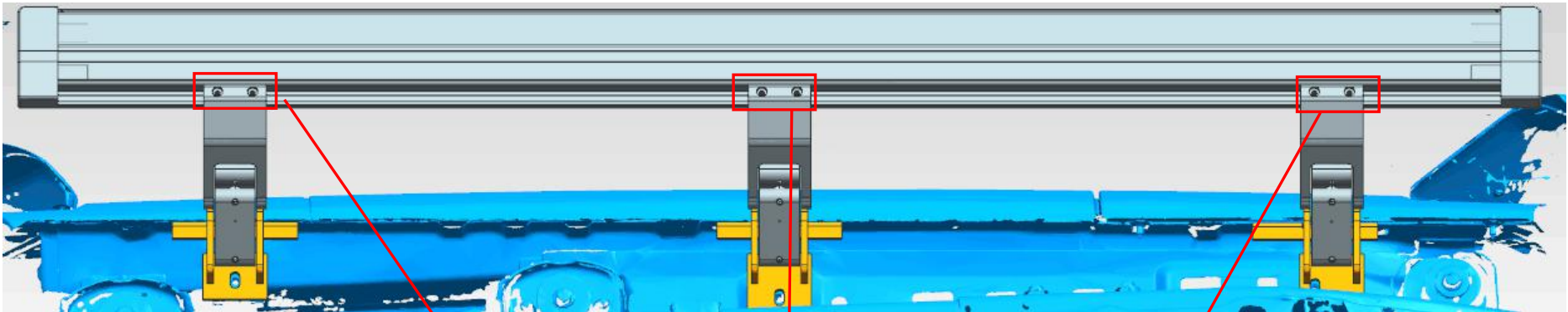


Place 1.2.3,fix with (M8*25)
flange screws

Attention: please don't tighten screws

2018 JEEP WRANGLER INSTALLATION MANUAL

4. Install running board(Right side) (The left side is same as the right)



- 1) Use M6x25 screw and spring washers to fix running board with brackets.
Tighten all screws

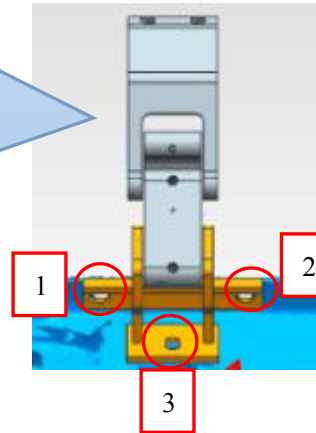
2018 JEEP WRANGLER INSTALLATION MANUAL

5. Testing and adjust the balance



2) Place 1.2.3: tighten all screws on 6 brackets.

If still not balance, use U shape washer to adjust it.



1) After installing the running board, then open and close doors to let step work.

To assure them up and down freely to adjust position by itself.

2018 JEEP WRANGLER INSTALLATION MANUAL



The effect after installtion