

INSTALLATION MANUAL - TOYOTA FORTUNER

Installation Time (Hours):

0.5

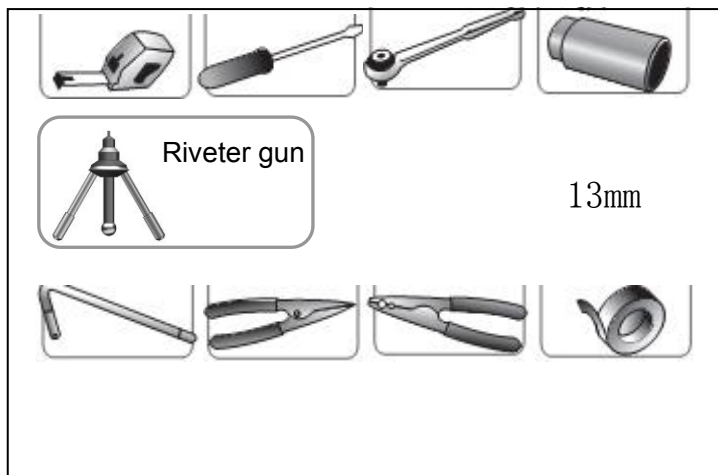
1

2

3

Professional installation recommends

Need Tools



Attention:

We highly recommend you to find professional store to install the product.

Attention:

If not follow the instruction may damage the ECU, motor or the car.

INSTALLATION MANUAL - TOYOTA FORTUNER

Component list



Running board 2pcs



Right front idler bracket



Left front idler bracket



Right rear motor bracket



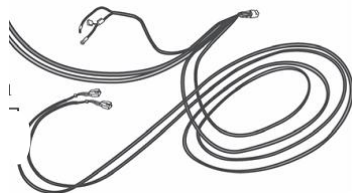
Left rear motor bracket



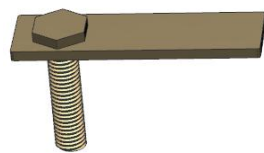
ECU



OBD kit



Wire harness: one set for motor power and signal



M8*35 T shape screws
8pcs



M6*25 socket
cap screw 8pcs



M8*35 socket
cap screw 2pcs



M8*60 socket cap
screw 2pcs



Rivet nut 4pcs



M8 nut w conical
washer 8pcs



U shape washer
10pcs



M8 pad 12pcs



M8 spring pad
4pcs



M6 spring pad
8pcs



Thread tape 1pc



Tie wires 20pcs

Screw package:

INSTALLATION MANUAL - TOYOTA FORTUNER

① Install left side bracket

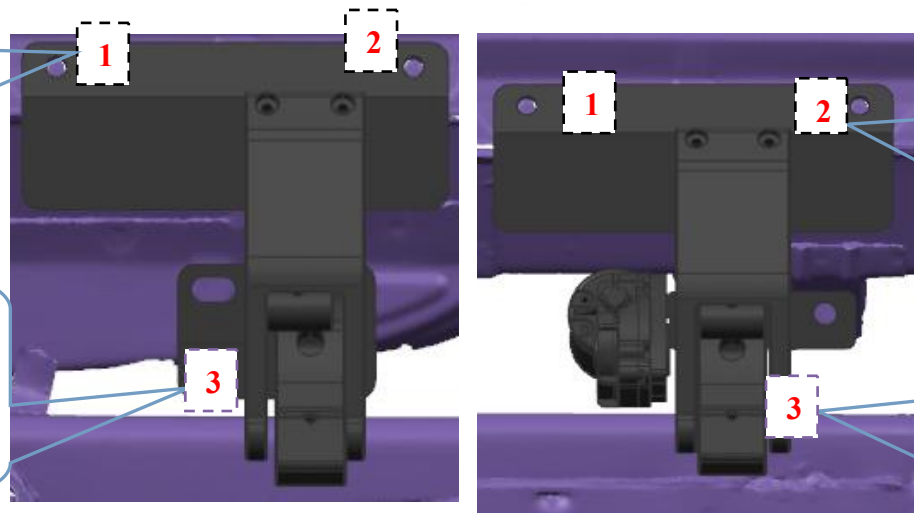


1、2 position use M8*35 T shape screws and relative nuts and pads.

KEEP SCREWS LOOSE

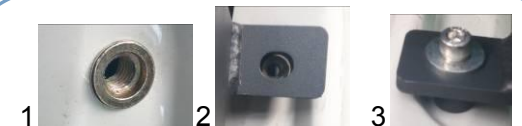


KEEP SCREW LOOSE



1、2 position use M8*35 T shape screws and relative nuts and pads.

KEEP SCREWS LOOSE



KEEP SCREW LOOSE

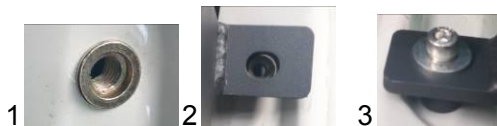
INSTALLATION MANUAL - TOYOTA FORTUNER

② Install right side bracket

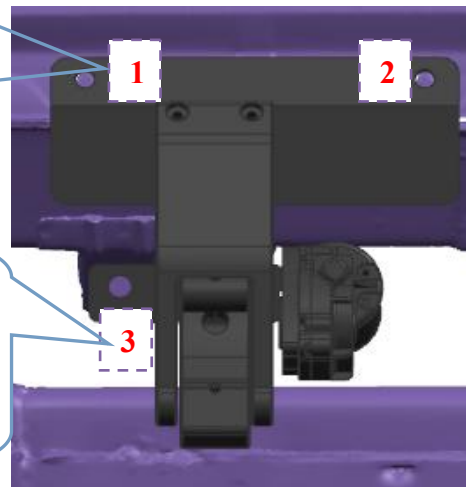


1、2 position use M8*35 T shape screws and relative nuts and pads.

KEEP SCREWS LOOSE

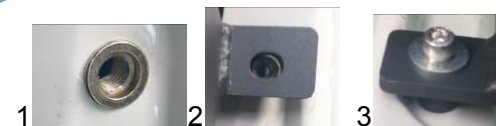


KEEP SCREW LOOSE

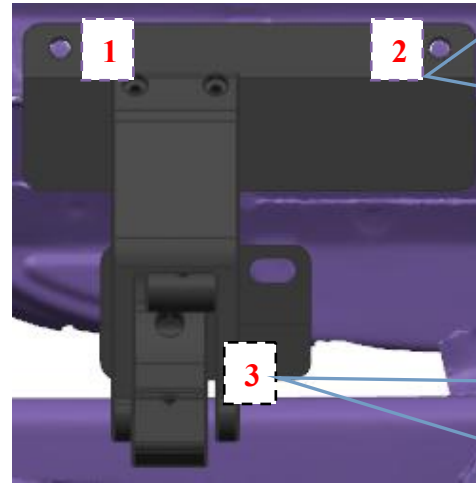


1、2 position use M8*35 T shape screws and relative nuts and pads.

KEEP SCREWS LOOSE



KEEP SCREW LOOSE



INSTALLATION MANUAL - TOYOTA FORTUNER

③ Install ECU and wiring



1) take out fuse



2) connect power wire to battery: red one with fuse is positive.



Caution!

Tighten battery screw very tight! If loose, may get damage to the car.



4) on this position, insert to co-drive



5) ECU fixing position

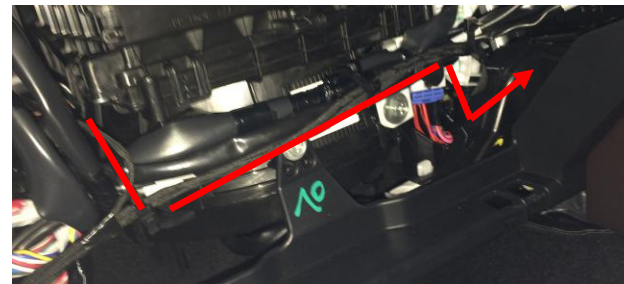


6) ECU fixing position and find negative nearby to connect

INSTALLATION MANUAL - TOYOTA FORTUNER



7) left motor wire from this position to co-drive site



8) positive line go to driver site as



9) left motor line as above from chassis to cabin



10) motor line as above position from chassis to cabin



11) through plastic cover to cabin

12) connect motor connectors and use tape to protect. Connect OBD kit on the car. Insert fuse and test if motor work well.

INSTALLATION MANUAL - TOYOTA FORTUNER

- ④ Install running board (2 sides are with same way)



M6x25 socket cap screws with spring pads.
And fasten them

INSTALLATION MANUAL - TOYOTA FORTUNER

5 Testing and adjust the balance

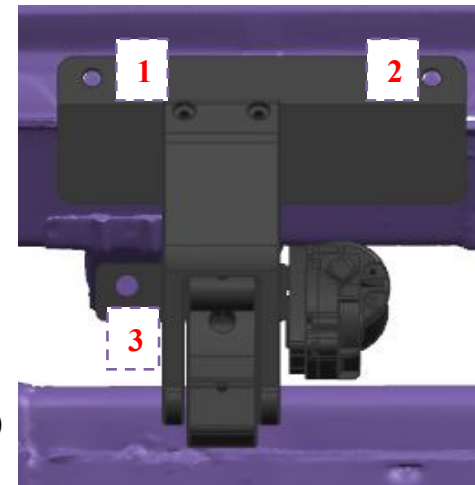


Insert fuse again. Then open and close doors to let step work.

To assure them up and down freely to adjust position by itself.

Fasten all screws on the bracket (3 screws of each bracke)

If still not balance, use U shape washer to adjust it.



INSTALLATION MANUAL - TOYOTA FORTUNER

Checking all doors activate, the side step work when doors open and close.



Now the installation is finished.



To lift the car as
showed



To lift the car

INSTALLATION MANUAL - TOYOTA FORTUNER



To changing tire

Automatic power deploy:

The running boards will extend down and out when the door is opened.

Automatic stop:

If an object is in the way of the moving running board, the running board will automatically stop. To reset, clear any obstruction, then simply open and close the door to resume normal operation.

Manually set in the deployed (OUT) position for access to the roof:

Step your foot while at the same time closing the door. To resume normal operation, open and close the door.

Maintenance: In adverse conditions, debris such as mud, dirt, and salt may become trapped in the running board mechanism, possibly leading to unwanted noise. If this occurs, manually set the running boards to avoid spraying the motors directly. After washing, apply silicone spray lubricant to the hinge pivot pins.

Caution! Keep hands and feet away when the running board is in motion.