

# TOYOTA LC76 INSTALLATION MANUAL

## Installation Time (Hours):

0.5

1

2

3

Professional installation recommends

## TOOLS

卷尺



Tape

一字螺丝刀



Screwdriver

棘轮



Ratchet

插口



10mm

13mm

Wrench

wiring nippers

wiring stripper

Insulated rubber tap

通用扳手



剪线钳



剥线钳



绝缘胶带



### Attention:

We highly recommend you to find professional store to install the product.

### Attention:

If not follow the instruction may damage the ECU, motor or the car.

# TOYOTA LC76 INSTALLATION MANUAL

## Accessories List



ECU



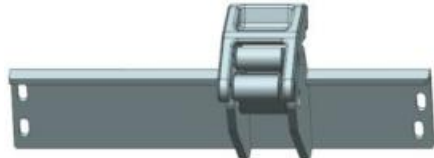
Right front motor bracket



Right rear idler bracket



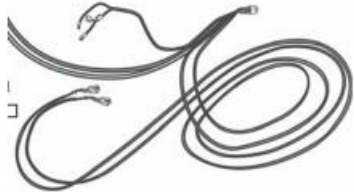
Left front motor bracket



Left rear idler bracket



OBD KIT 1 SET



Wire harness: one set for motor power and signal

M6*25 outer hexagonal bolts 8PCS	M6*40 outer hexagonal bolts 4PCS	M6*55 Hook screw 2pcs	M6*25 socket cap screw, 8pcs		
U shape washer, 10 pcs	M8 big size washers, 2 pcs	M6 spring washer, 8pcs	M6 washers, 12pcs	Plastic Line, 1 pc	Tie wire ,20 pcs

**Screw Package List**

## TOYOTA LC76 INSTALLATION MANUAL

### 1.install ECU, OBD and wiring



1) Open engine compartment and find the battery



2) take out fuse



3) connect positive pole of a battery

**CAUTION!:** Tighten battery screw very tight! If loose, may get damage to the car.



4) Find the left hole in the engine compartment



5) Connect positive pole line to the left side of the car



6) Connect the negative pole line to the left side in the car

## TOYOTA LC76 INSTALLATION MANUAL

---



7) Find the screw of the original car on the left



8) Fix with M8 nut



9) Take apart the decoration panel of four doors



10) Connect with this door control item



11) Take apart this decoration panel

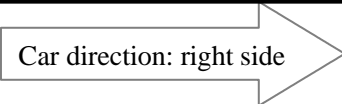


12) Link the motor line to the chassis site

13) Connect motor connectors and use tape to protect, connect OBD line with ECU connector, insert fuse to test if motor work well



# TOYOTA LC76 INSTALLATION MANUAL



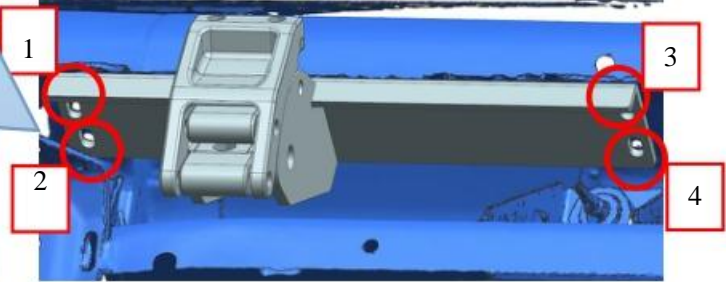
## 2.Install the bracket (right side)



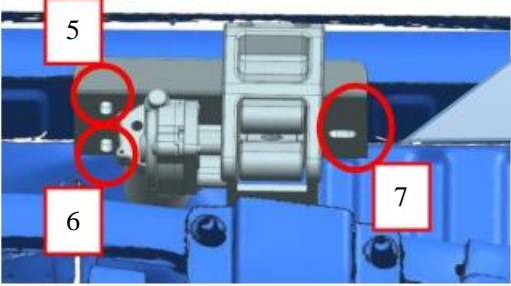
Right-rear idler bracket

Right-front bracket with motor

Place 1.2.3.4 use M6\*25 screw to fix



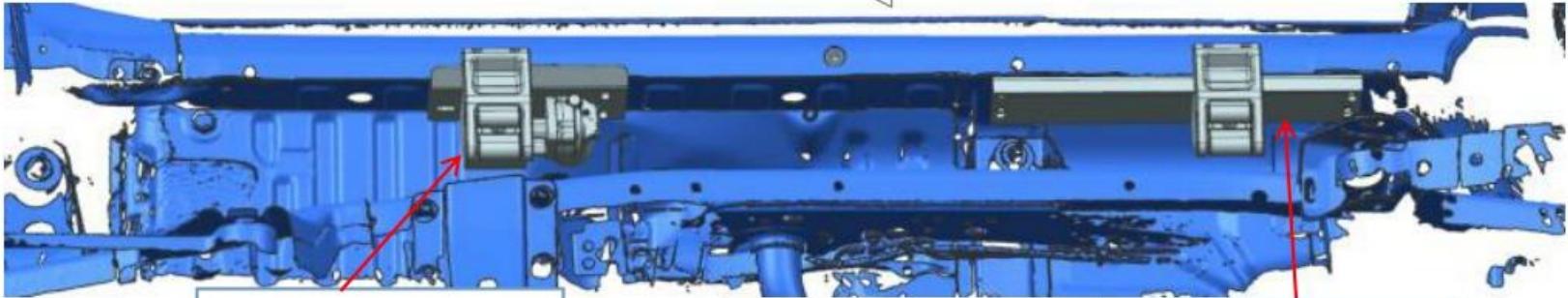
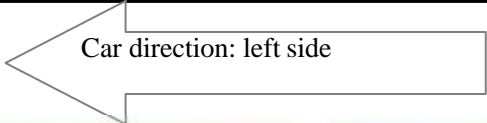
Place 5.6 use M6\*40 screw to fix  
Place 7 use M8\*50 hook screw to fix



Caution: don't tighten the screws!

# TOYOTA LC76 INSTALLATION MANUAL

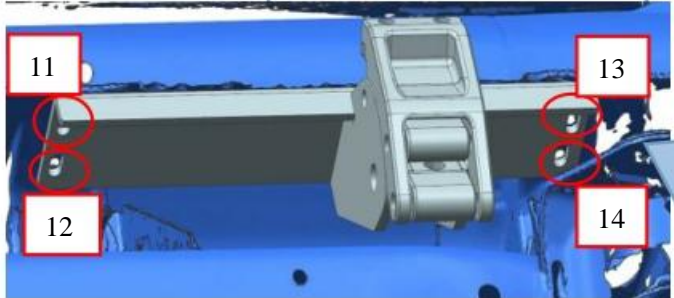
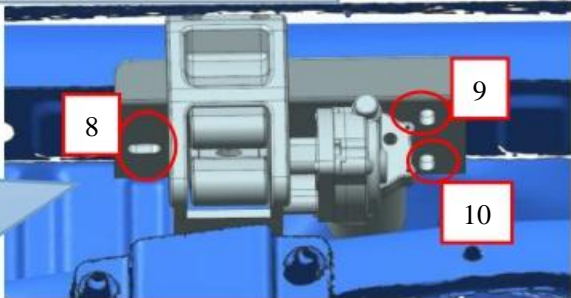
## 3. Install the bracket (left side)



Left-front bracket with motor

Left-rear idler bracket

Place 8,9 use M6\*40 screw to fix  
Place 10 use M8\*50 hook screw to fix



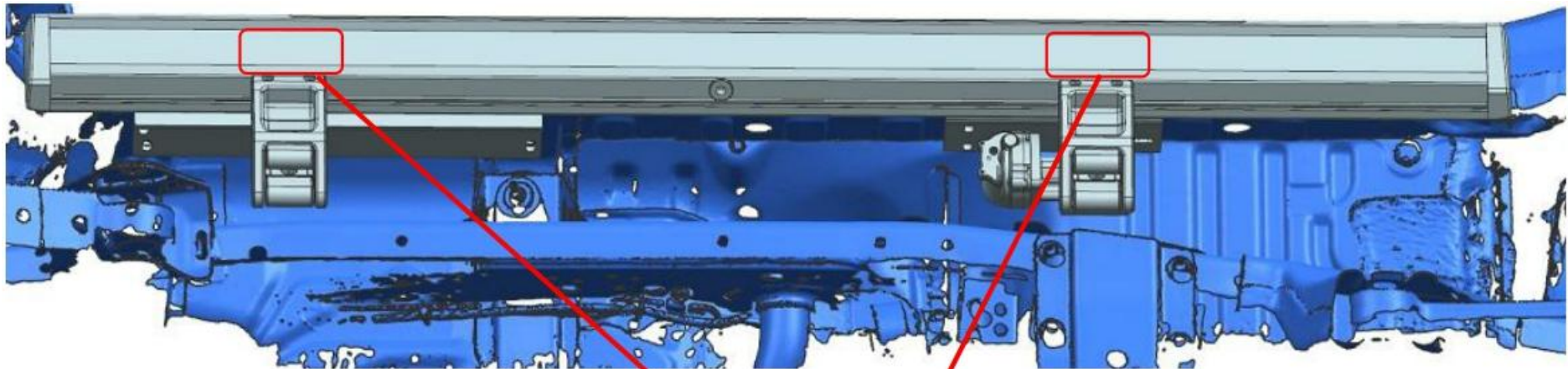
Place 11,12,13,14 use M6\*25 screw to fix

**Caution: don't tighten the screws!**

## TOYOTA LC76 INSTALLATION MANUAL

---

### 4. Install running board( right side) (The installation of the left is same as the right)



1) use M6x25 socket cap screw to fix running board with brackets as the picture above showed. **TIGHTEN SCREWS !!**



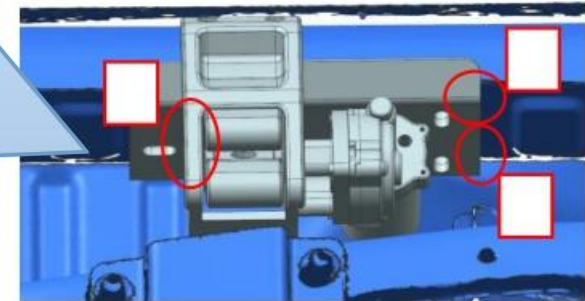
## TOYOTA LC76 INSTALLATION MANUAL

---

### 5. Testing and adjust brackets and screws to keep the balance



Tighten 1.2.3.4 screws;  
If still not balance, use U  
shape washer to adjust it.



1) When running board installed finish, open and close the doors for testing, keep the brackets balanced and stay in the same line



## TOYOTA LC79 INSTALLATION MANUAL

---



**Installation completion effect**