

TOYOTA LAND CRUISER INSTALLATION MANUAL

Installation Time (Hours):

0.5

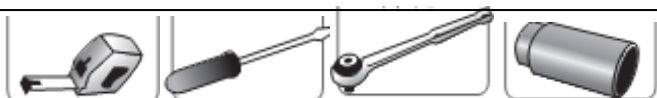
1

2

3

Professional installation recommends

TOOLS



12mm 13mm



Attention:

We highly recommend you to find professional store to install the product.

Attention:

If not follow the instruction may damage the ECU, motor or the car.

TOYOTA LAND CRUISER INSTALLATION MANUAL

COMPONENTS LIST



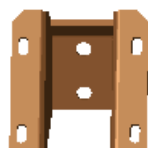
Running board, 2pcs



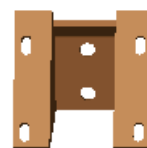
ECU



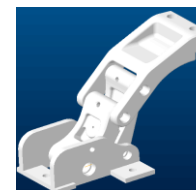
Bracket connection, front 2



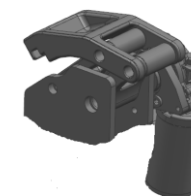
Bracket connection, middle 2



Bracket connection, rear 2



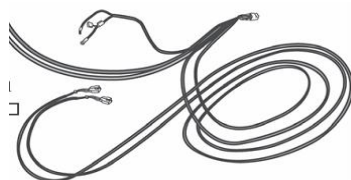
Idler bracket 4 sets



Motor barcket 2 sets



OBD KIT 1 SET



Wire harness: one set for motor power and signal



M8*20 screw ,8 pcs



N6*25 socket cap screw 12 pcs



Plastic line 1



Tie wire 20 pcs



U shape washer 10pcs



M8 washer 12 pcs



M6 spring washer 12 pcs

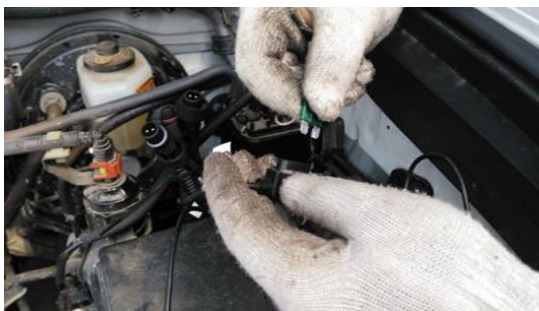


M6 washer 12 pcs

Screw package

TOYOTA LAND CRUISER INSTALLATION MANUAL

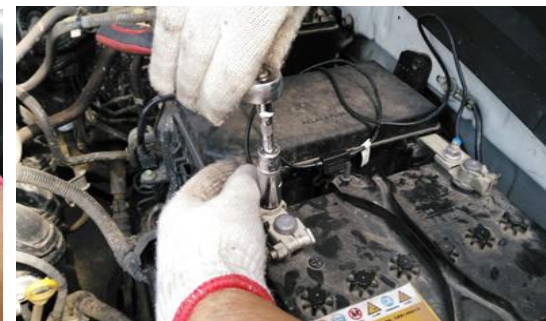
1 Install ECU, OBD and wiring



1) take out fuse



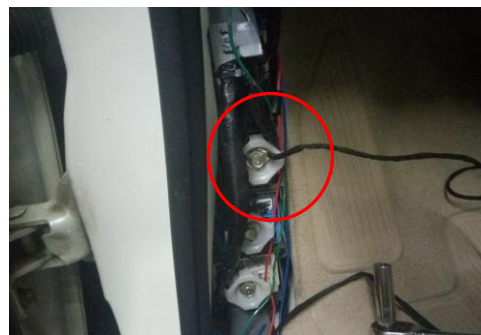
2) connect power wire to battery: red one with fuse is positive.



Caution! Tighten battery screw very tight! If loose, may get damage to the car.



4) the wiring from this position to co-drive cabin



5) negative position, on the co-drive side



6) use the hole with M6 screw to fix ECU



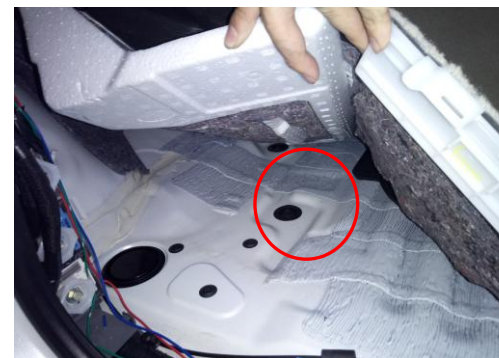
TOYOTA LAND CRUISER INSTALLATION MANUAL



7) right motor wire and OBD line from this position to drive site



8) connect OBD as above picture



9) right motor line as above to go to chassis site



10) motor line from above position to go to chassis site

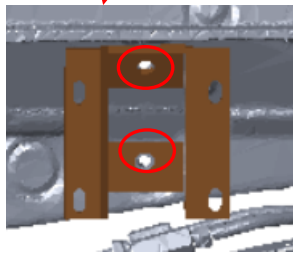
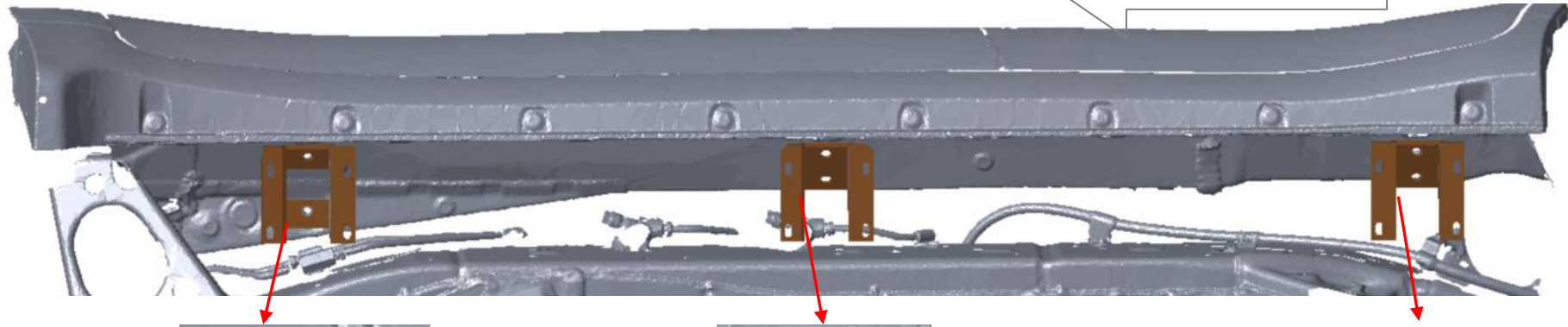
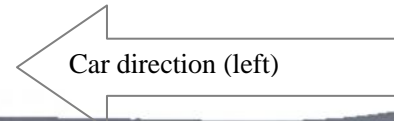


11) left and right side are in same way

12) connect motor connectors and use tape to protect. Connect OBD line with ECU connector. Insert fuse to test if motor work well.

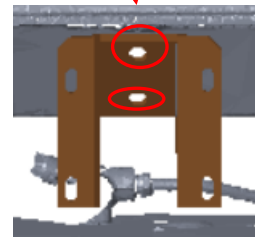
TOYOTA LAND CRUISER INSTALLATION MANUAL

2 Install connections (left side, 2 sides in same way to install)



LF

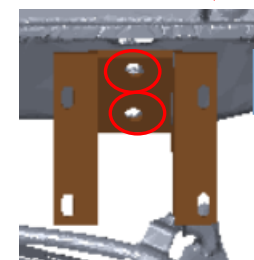
M8 screws, 2pcs to fix



LM

M8 screws, 2pcs to fix

Tighten all screws !

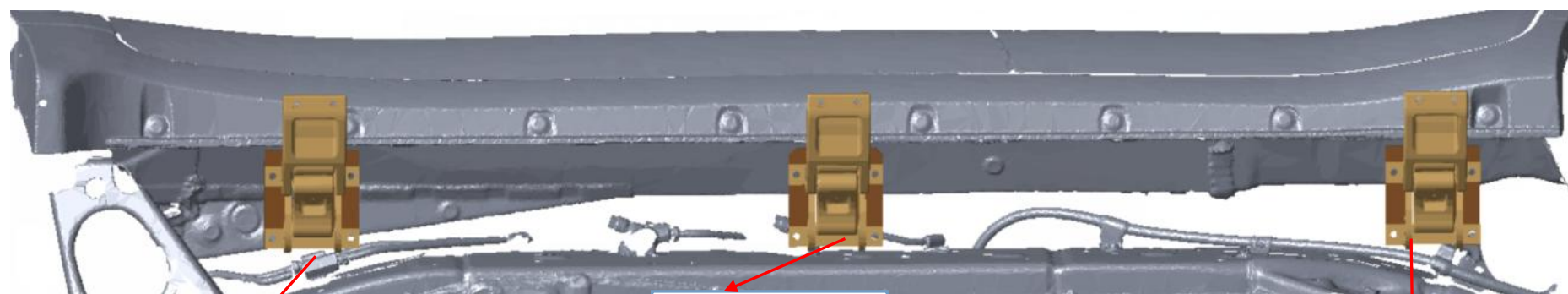


LR

M8 screws, 2pcs to fix

TOYOTA LAND CRUISER INSTALLATION MANUAL

3. Install bracket (left side, 2 sides in same way to install)



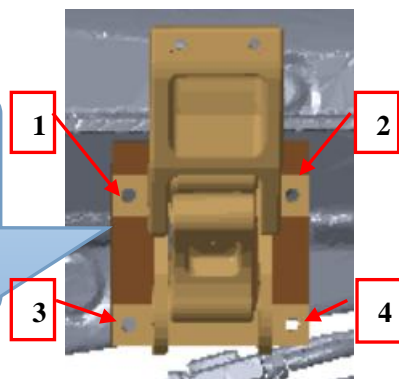
LF, idler bracket

LM, motor bracket

LR, idler bracket

1.2.3,4 use M8x30 screws and nuts to fix.

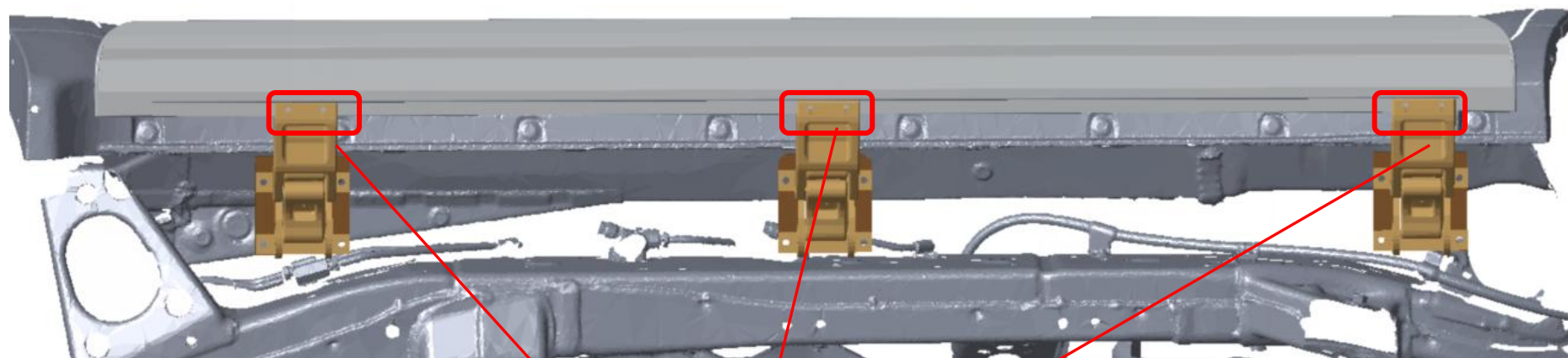
KEEP ALL BRACKET SCREWS A LITTLE LOOSE, SO THAT BRACKET CAN MOVE WITH RUNNING BOARD!!!



3 brackets are in same way to fix

TOYOTA LAND CRUISER INSTALLATION MANUAL

4, install running board (left and right side are in same way)



Use M6x25 screw and spring washers to fix running board with brackets.

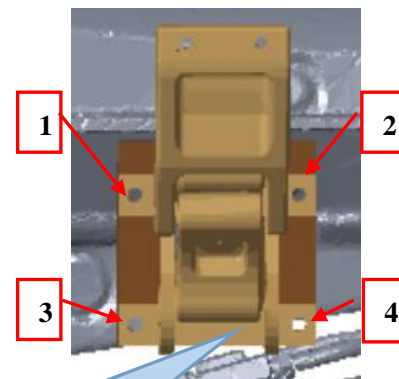
TIGHTEN SCREWS !

TOYOTA LAND CRUISER INSTALLATION MANUAL

5, Testing and adjust the balance



Insert fuse again. Then open and close doors to let step work. To assure them up and down freely to adjust position by itself.



**FASTEN ALL THE SCRWS
(4x6=24) ON THE 6
BRACKETS**

If still not balance, use U
shape washer to adjust it.

TOYOTA LAND CRUISER INSTALLATION MANUAL



6, Checking all doors activate, the side step work when doors open and close. Now the installation is finished. Protect all connectors with tap to avoid loose.



To lift the car as showed



To lift the car

TOYOTA LAND CRUISER INSTALLATION MANUAL



To changing tire

Automatic power deploy:

The running boards will extend down and out when the door is opened.

Automatic stop:

If an object is in the way of the moving running board, the running board will automatically stop. To reset, clear any obstruction, then simply open and close the door to resume normal operation.

Manually set in the deployed (OUT) position for access to the roof:

Step your foot while at the same time closing the door. To resume normal operation, open and close the door.

Maintenance: In adverse conditions, debris such as mud, dirt, and salt may become trapped in the running board mechanism, possibly leading to unwanted noise. If this occurs, manually set the running boards to avoid spraying the motors directly. After washing, apply silicone spray lubricant to the hinge pivot pins.

Caution! Keep hands and feet away when the running board is in motion.