









BENZ SPRINTER Installation Manual

安装所需时间

0.5	1	2	3
Professional installation recommends			

工具

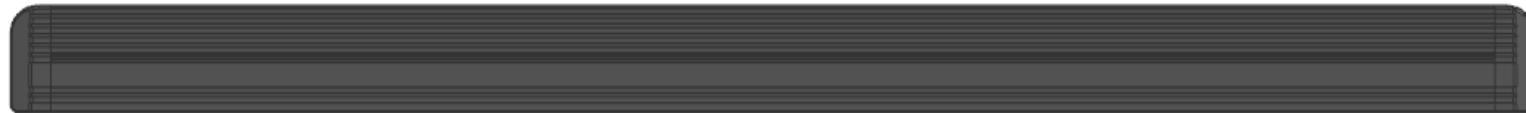
卷尺 	一字螺丝刀 	棘轮 	插口 
Tape	Screwdriver	Ratchet	12mm 13mm
Wrench	wire nippers	wire stripper	insulated rubber tap
通用扳手 	剪线钳 	剥线钳 	绝缘胶带 



Attention:	We highly recommend you to find professional store to install the product.
Attention:	not follow the instruction may damage the ECU, motor or the car.

Benz SPRNTER Installation Manual

Accessories list



Running board,
2 PCS



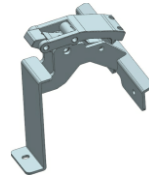
ECU



Left-front Idler
barcket



Left-middle
drive bracket



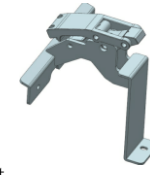
Left-rear Idler barcket



Right-front Idler barcket



Right-middle drive bracket



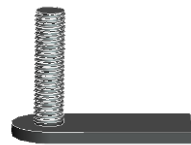
Right-rear Idler barcket



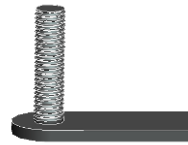
OBD KIT 1 SET



Wire harness: one set for motor
power and signal



M10*30 Hook screw
2 PCS



M8*45 Hook screw
16 PCS



M6*25 socket cap
screw 12PCS



M8 nut w conical
Washer 16PCS



M10 nut 2PCS



U shape washer 10PCS



M8 washer
16PCS



M6 spring washer
12PCS



M10 washer 2PCS



Plastic line
1 PCS



Tie wire 20 PCS

Screw Package List

Benz SPRINTER Installation Manual

1. Install ECU, OBD and wiring



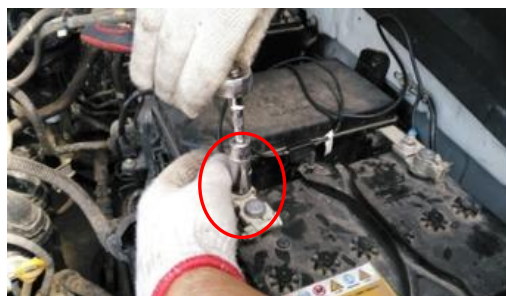
1) Lift off the co-pilot's carpet,



2) After lifting, find the battery



3) take out fuse



4) connect positive pole of a battery



5) Connect negative pole; **CAUTION!:** Tighten battery screw very tight! If loose, may get damage to the car.



6) Find this hole on the left

Benz SPRINTER Installation Manual



7) Wear the left motor line to the chassis site



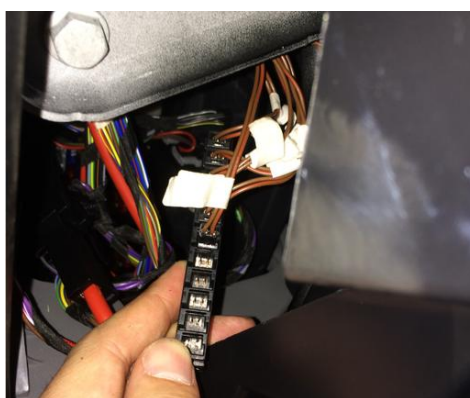
8) the right motor line is the same as the left



9) attach the ECU to the battery



10) Find the signal plug-in at the bottom left

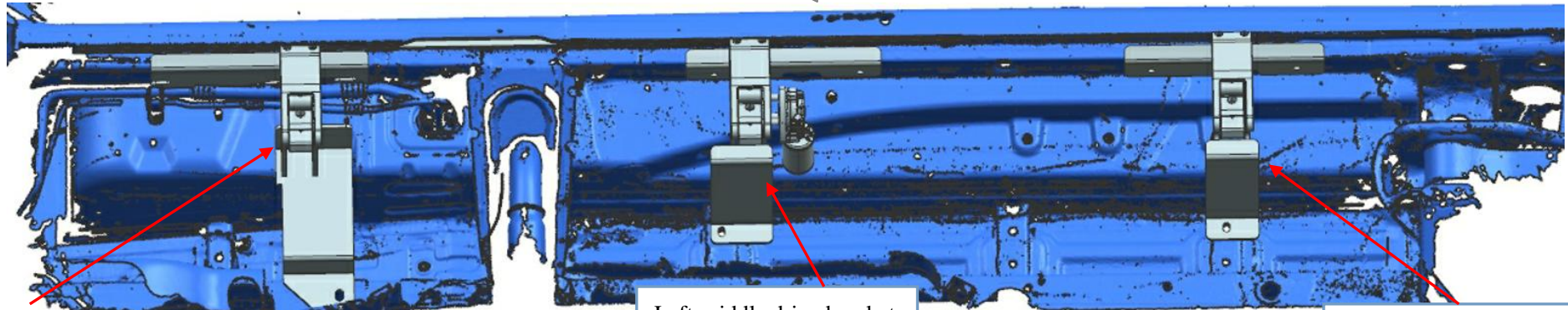
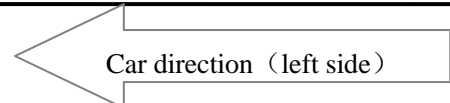


11) Insert in the space of the plugin

12) Connect motor connectors and use tape to protect, connect OBD line with ECU connector, insert fuse to test if motor work well

Benz SPRINTER Electric Running Board Installation Manual

2. Install bracket (left side)

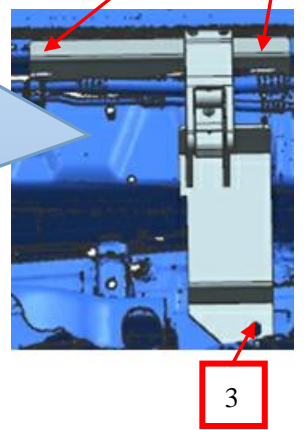


Left-front idler bracket

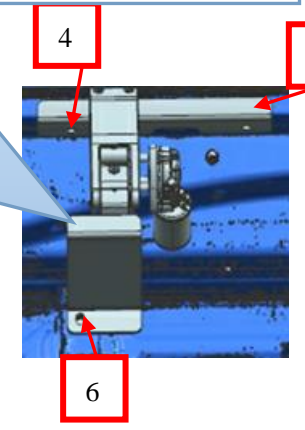
Left-middle drive bracket

Left-rear idler bracket

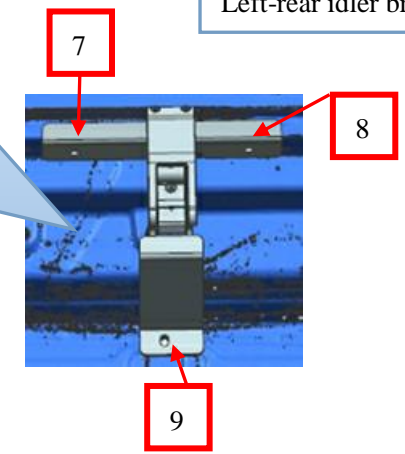
1 & 2 : Use M8*45 Hook screw
3: Use M10*30 Hook screw



4 & 5: Use M8*45 Hook screw
6: Use M8*45 Hook screw



7 & 8: Use M8*45 Hook screw
9: Use M8*45 Hook screw

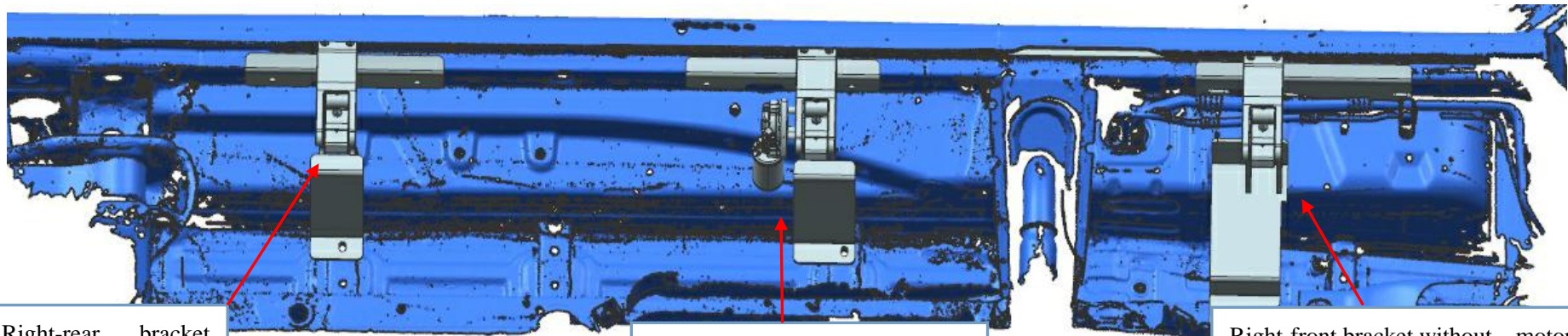


Cautions: Don't tighten all the screws.

Benz SPRINTER Electric Running Board Installation Manual

3. Install bracket (right side)

Car direction (right side)



Right-rear bracket without motor

Right-middle bracket with motor

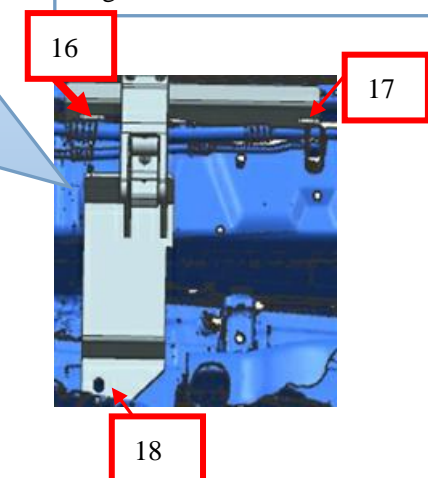
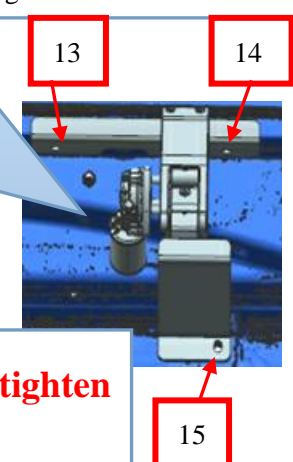
Right-front bracket without motor

10 & 11: Use M8*45 hook screw
12 : use M8*45 hook screw

13 & 14: Use M8*45 hook screw
15 : Use M8*45 hook screw

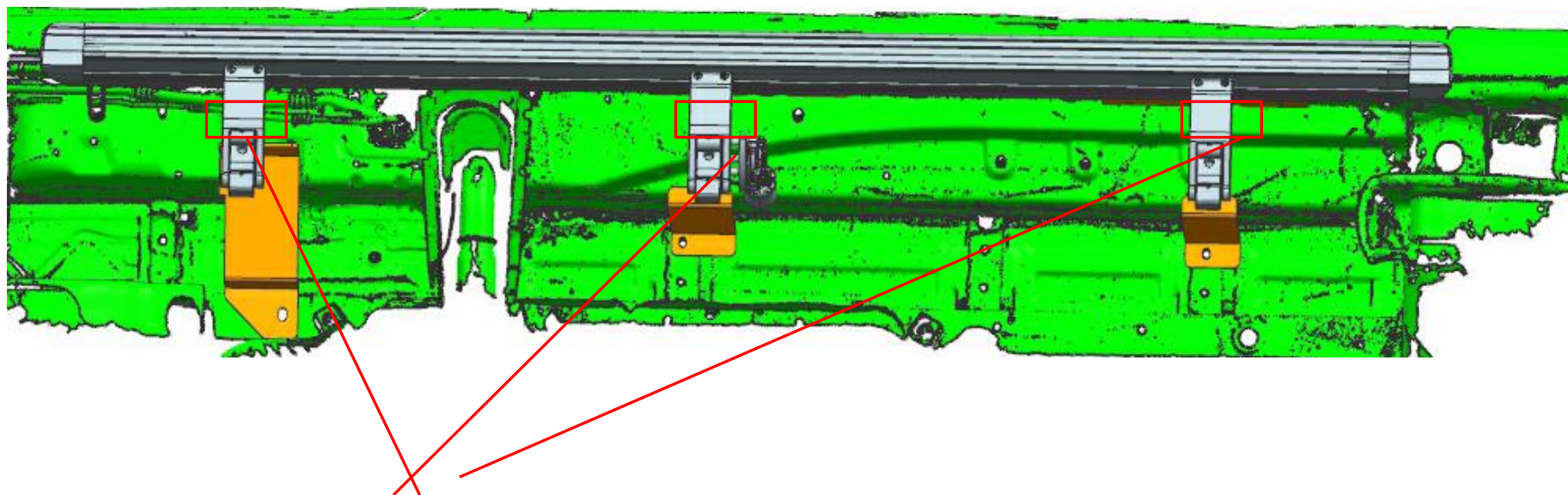
16 & 17: Use M8*45 hook screw
18 : Use M10*30 hook screw

Cautions: Don't tighten all the screws.



Benz SPRINTER Electric Running Board Installation Manual

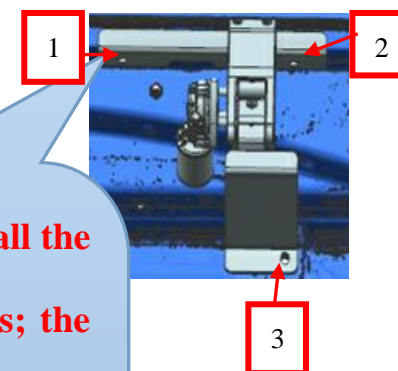
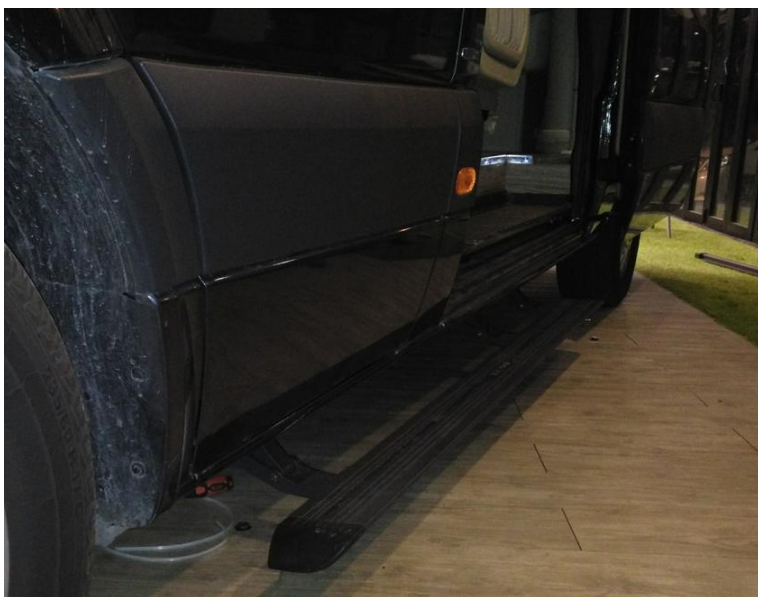
4. Install running board (left and right side are in same way)



1) Use M6x25 socket cap screw to fix running board with brackets as the picture above showed. **TIGHTEN SCREWS !!**

Benz SPRINTER Electric Running Board Installation Manual

5. Testing and adjust brackets and screws to keep the balance

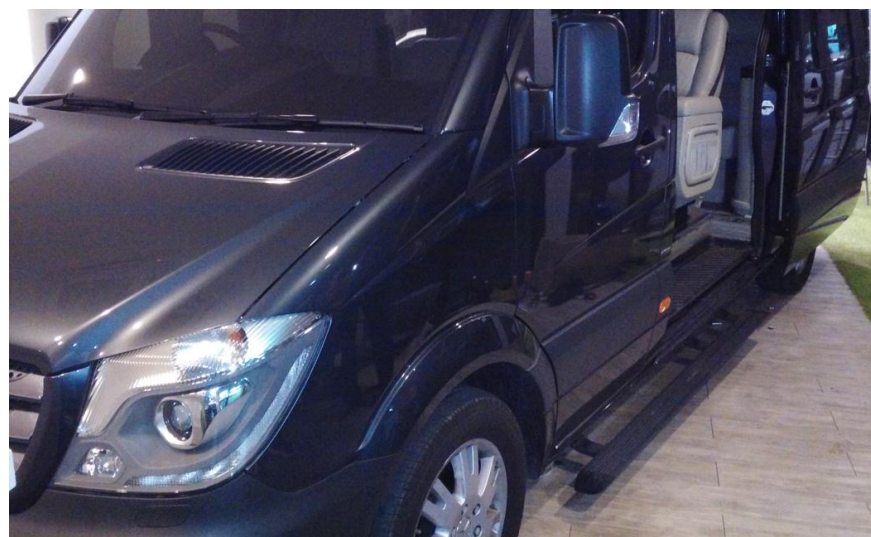
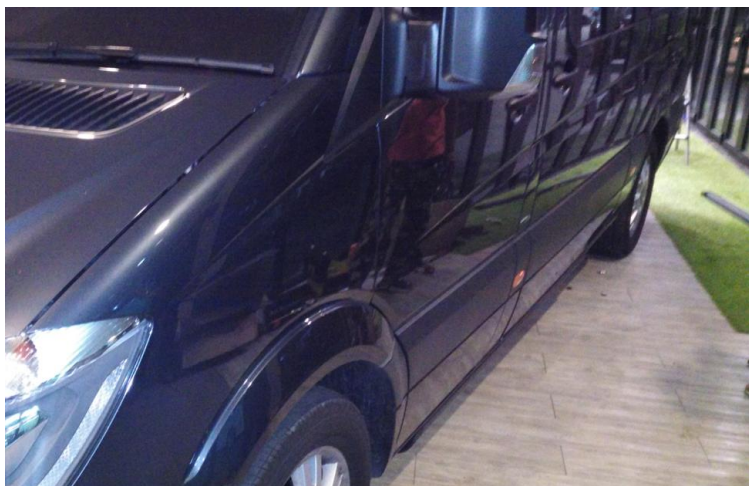


2) 1 & 2 & 3: Fasten all the screws on the brackets; the rest of three brackets as same as this one;

If still not balance, use U shape washer to adjust it.

1) When running board installed finish, open and close the doors for testing, keep the brackets balanced and stay in the same line

Benz SPRINTER Electric Running Board Installation Manual



Installation completion effect



To lift the car
as showed



To lift the car

Benz SPRINTER Electric Running Board Installation Manual



To changing tire

Automatic power deploy:

The running boards will extend down and out when the door is opened.

Automatic stop:

If an object is in the way of the moving running board, the running board will automatically stop. To reset, clear any obstruction, then simply open and close the door to resume normal operation.

Manually set in the deployed (OUT) position for access to the roof:

Step your foot while at the same time closing the door. To resume normal operation, open and close the door.

Maintenance: In adverse conditions, debris such as mud, dirt, and salt may become trapped in the running board mechanism, possibly leading to unwanted noise. If this occurs, manually set the running boards to avoid spraying the motors directly. After washing, apply silicone spray lubricant to the hinge pivot pins.

Caution! Keep hands and feet away when the running board is in motion.